

- Illustrated parts data

DMC: PUMP-1-11-22-33-0001-000A-0
Language: en/US
Issue no: 001
Issue Date: 2010-12-01
Title: - Illustrated parts data
Security classification : Class01
Responsible partner company:
Originator:
Applicability:
QA: Unverified

Intentionally left blank

- Illustrated parts data

Table of Contents	Page
List of Figures	Page
1	2

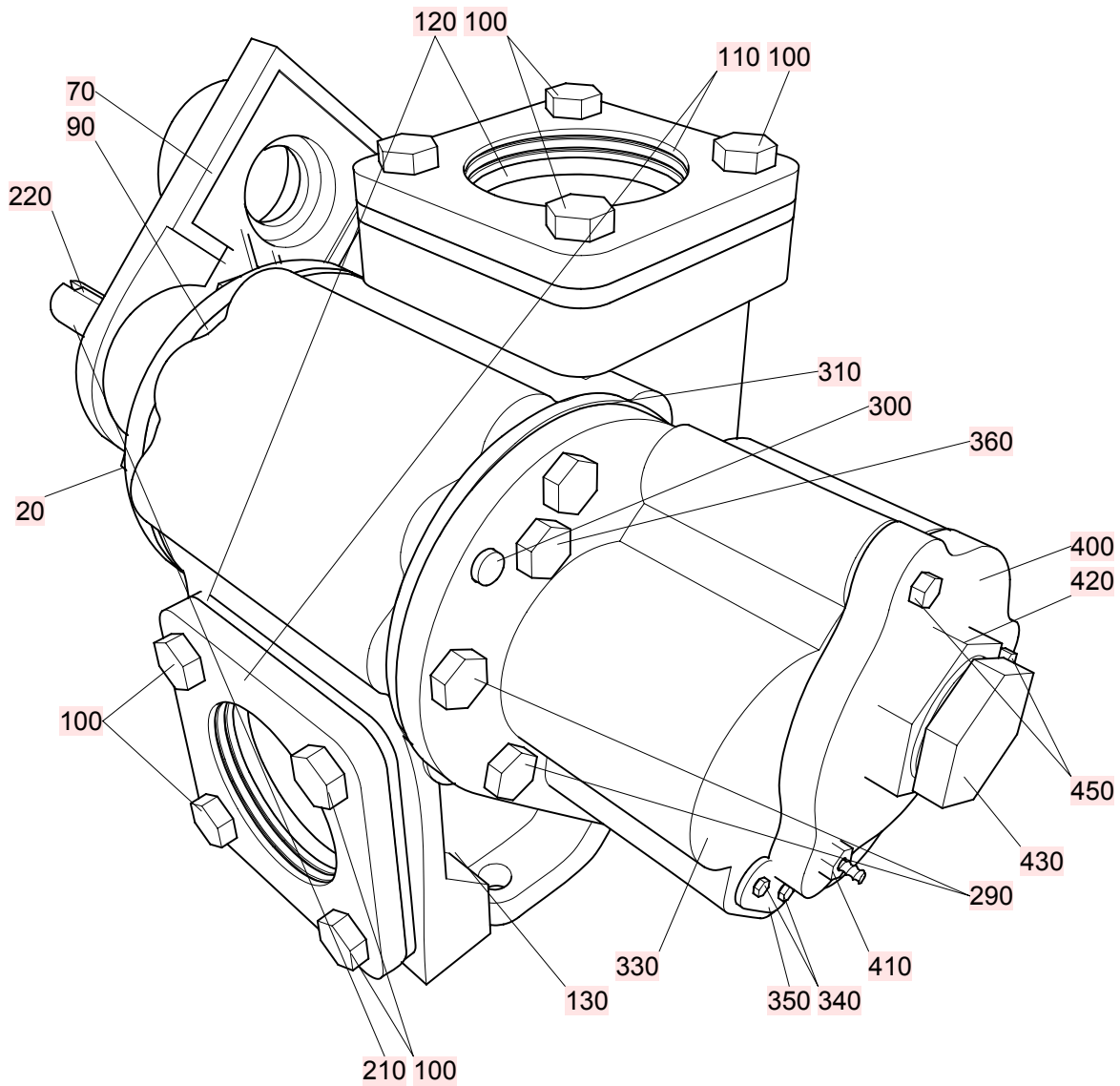


Figure 1 - (Sheet 1 of 6)

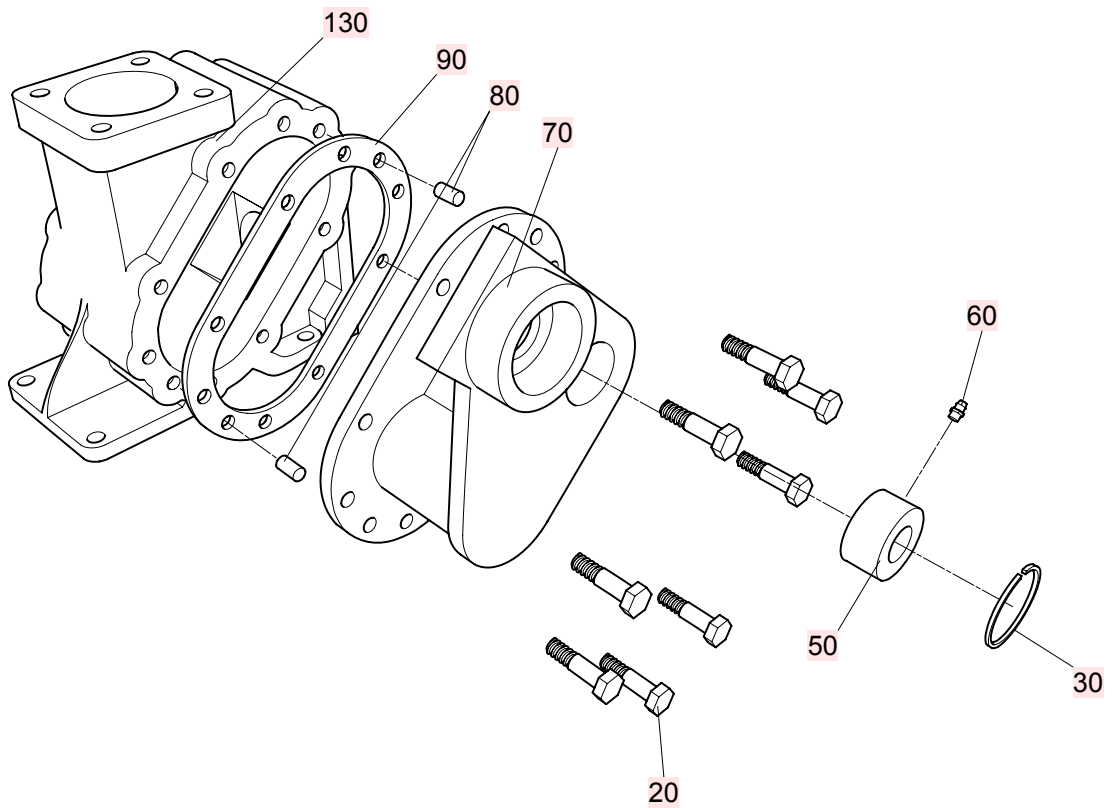


Figure 1 - (Sheet 2 of 6)

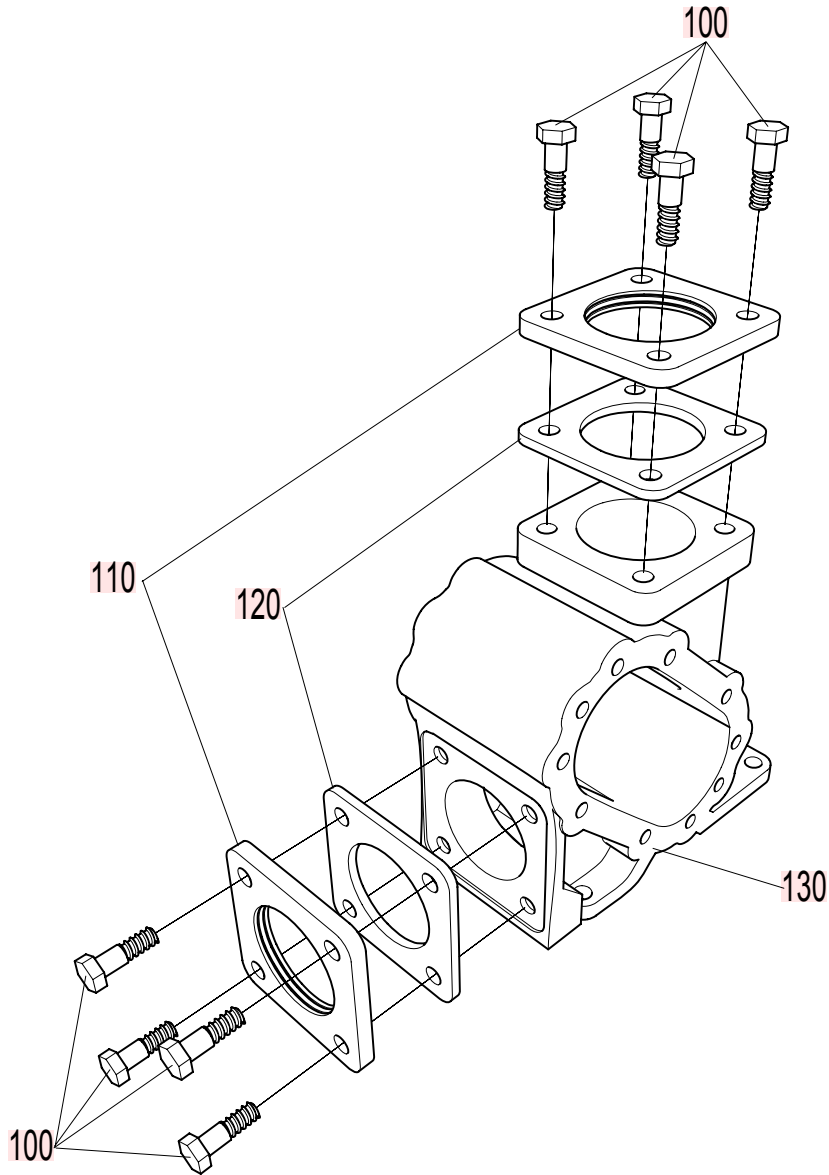


Figure 1 - (Sheet 3 of 6)

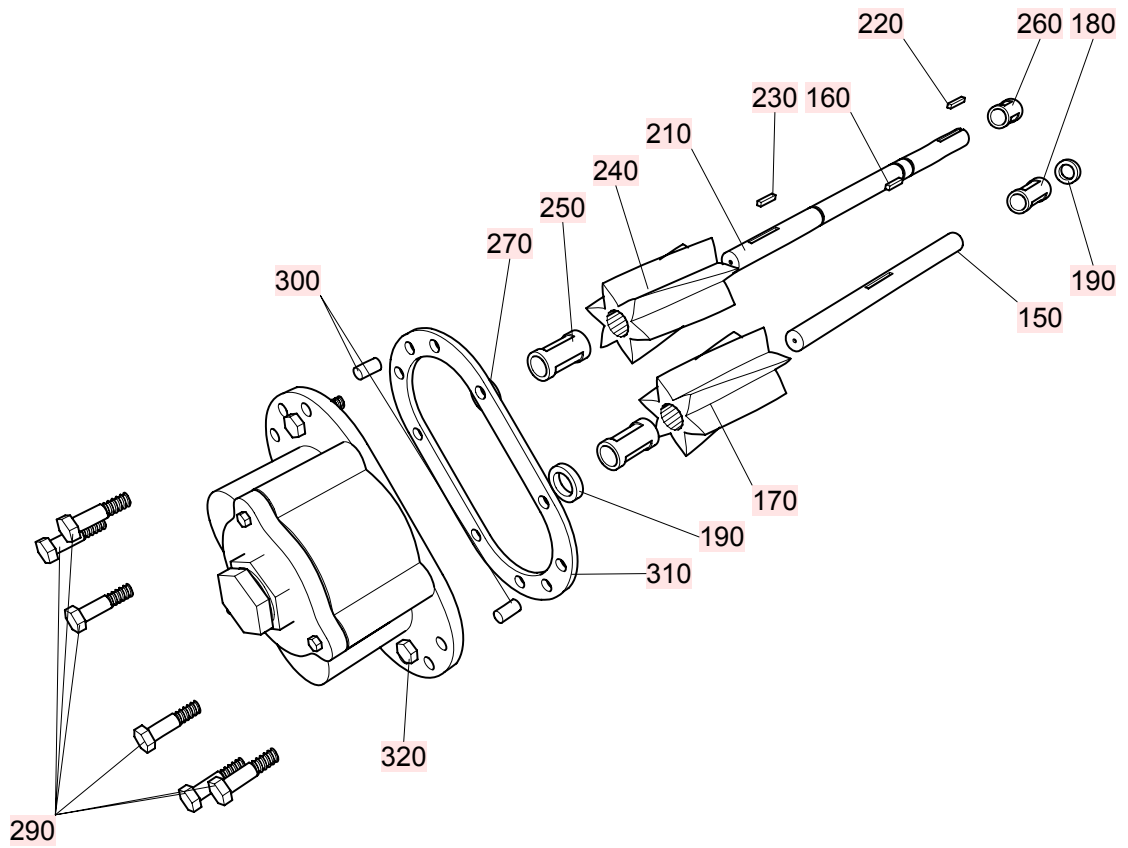


Figure 1 - (Sheet 4 of 6)

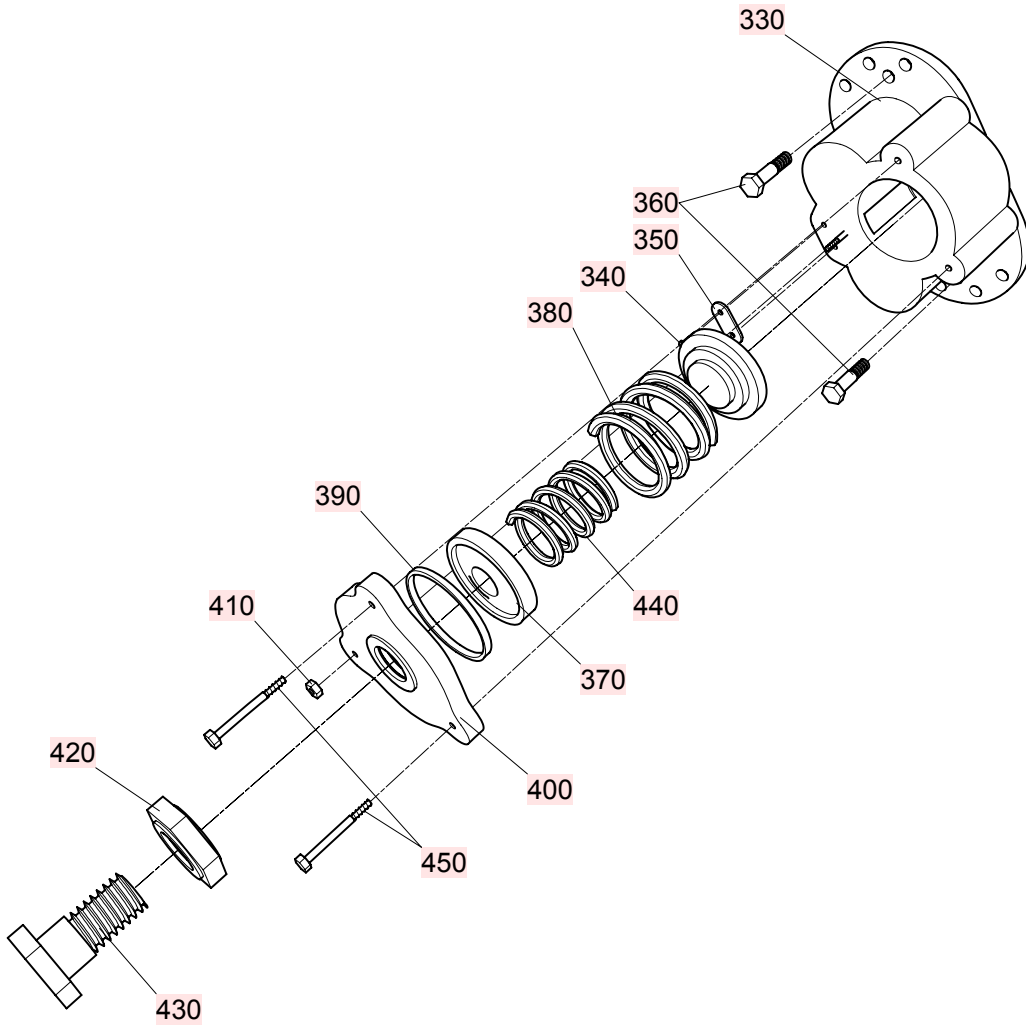


Figure 1 - (Sheet 5 of 6)

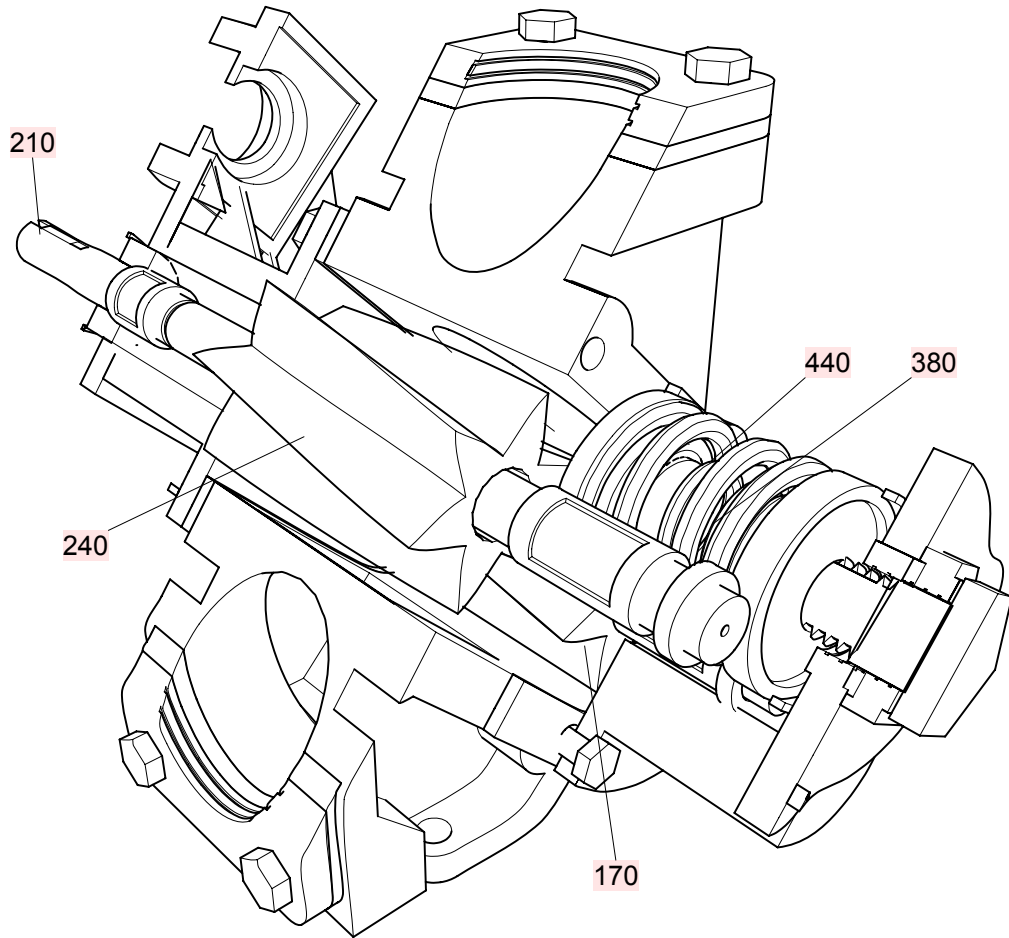


Figure 1 - (Sheet 6 of 6)

UNCLASSIFIED

Fig.	Item	Units per assembly/ unit of issue	NCAGE	Part No, NATO Stock Number	Nomenclature	*Usable on I code assy C • MV/Effect Y
1						
		RF	10819	PM005300	Pump Assy	
10	1		10819	PM005301	• Back Plate Assy	
20	8		10819	BLT000324	•• Bolt, Hex Head	
30	1		10819	PM005302	•• Retaining ring	
40	1		10819	PM005303	•• Ball Bearing Assy	
50	1		10819	PM005305	••• Ball Bearing	
60	1		10819	PM005310	••• Zerk Fitting	
70	1		10819	PM005320	•• Backplate	
80	2		10819	DP00356	•• Dowel Pin	
90	1		10819	PM005330	•• Gasket, Case	
100	8		10819	BLT000350	• Bolt, Hex Head	
110	2		10819	PM005340	• Flange, Straight	
120	2		10819	PM005345	• Gasket, Flange	
130	1		10819	PM005350	• Casing	
140	1		10819	PM005500	• Idler Shaft Assy	
150	1		10819	SH40020	•• Shaft, Idler	
160	1		10819	SH40140	•• Key	
170	1		10819	SH40500	•• Gear, Right Hand	
180	2		10819	PM005510	•• Bushing, Long	
190	2		10819	PM005530	•• Washer, Expansion	
200	1		10819	PM005501	• Drive Shaft Assy	
210	1		10819	SH40120	•• Shaft, Drive - Rev. A	*A 1
215	1		10819	SH40121	•• Shaft, Drive - Rev. B	*B 1
220	1		10819	SH40040	•• Key	
230	1		10819	SH40140	•• Key	

Effectivity: All

PUMP-1-11-22-33-0001-000A-0

UNCLASSIFIED

Fig.	Item	Units per assembly/ unit of issue	NCAGE	Part No, NATO Stock Number	Nomenclature	*Usable on I code assy C • MV/Effect Y
	240	1	10819	SH40400	•• Gear, Left Hand	
	250	1	10819	PM005510	•• Bushing, Long	
	260	1	10819	PM005520	•• Bushing, Short	
	270	1	10819	PM005530	•• Washer, Expansion	
	280	1	10819	PM005600	• Face Plate Assy	
	290	6	10819	BLT000324	•• Bolt, Hex Head	
	300	2	10819	DP00356	•• Dowel Pin	
	310	1	10819	PM005330	•• Gasket, Case	
	320	1	10819	PM005400	•• Face Plate Assembly, Relief Valve	
	330	1	10819	PM005410	••• Face Plate	
	340	2	10819	PM005420	••• Drive Screw	
	350	1	10819	PM005430	••• Name Plate	
	360	2	10819	PM005440	••• Pipe Plug	
	370	1	10819	PM005450	••• Poppet and Spring	
	380	1	10819	PM005460	••• Spring, Standard	
	390	1	10819	PM005470	••• O-Ring, Buna	
	400	1	10819	PM005480	••• Plug Cap	
	410	1	10819	NT3456	••• Nut	
	420	1	10819	NT4850	••• Nut, Lock and Seal	
	430	1	10819	BLT005532	••• Screw, Adjustment	
	440	1	10819	PM5490	••• Spring, High Pressure	
	450	2	10819	BLT003345	••• Bolt, Hex Head	

Intentionally left blank